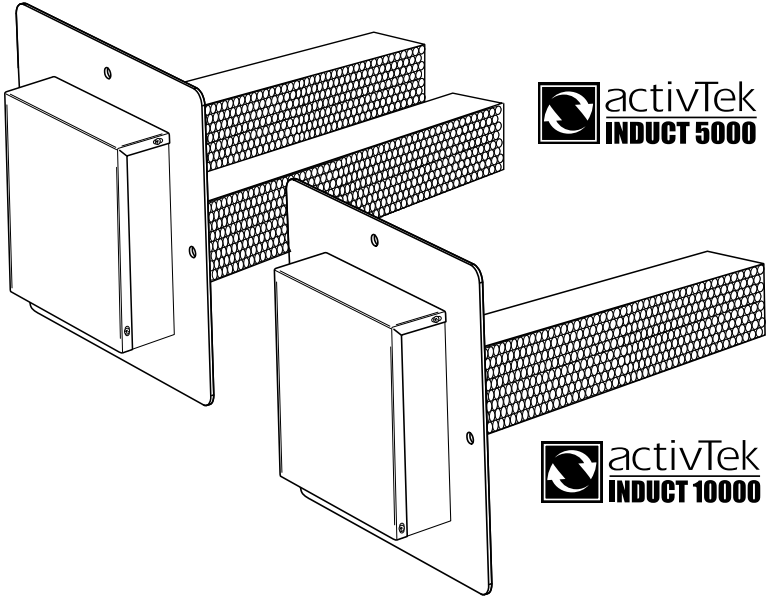




# activTek

## ENVIRONMENTAL



---

ELECTRONIC AIR PURIFICATION SYSTEM

---



**activTek Environmental**

310 T. Elmer Cox Drive  
Greenville, TN 37743

**CAUTION: Read manual carefully for proper procedures and operation.**

# CONTENTS

---

|  |    |
|--|----|
| Features .....                         | 3  |
| Principles of Operation .....          | 3  |
| Specifications .....                   | 3  |
| Periodic Maintenance.....              | 4  |
| Inspection .....                       | 4  |
| Installation Requirements .....        | 5  |
| Installation Clearances.....           | 5  |
| Installing the Unit .....              | 6  |
| Wiring the Unit .....                  | 7  |
| Replacing the ActivePure Cell.....     | 8  |
| Replacing the Ballast.....             | 9  |
| Replacement Parts List.....            | 10 |
| Disposing of the ActivePure Cell ..... | 11 |
| Warranty .....                         | 11 |

Please record the name and phone of your activTek Distributor:

Name \_\_\_\_\_

Phone \_\_\_\_\_

Please record the serial number of your activTek INDUCT 5000/INDUCT 10000 by activTek:

Serial # \_\_\_\_\_

---

This owner's manual covers both the activTek INDUCT 5000 single commercial probe unit and the activTek INDUCT 10000 dual commercial probe unit. The procedures shown in this manual apply to both units, unless otherwise indicated.

---



**WARNING!** UV Lamp operation. Do not operate unless the unit is completely and correctly assembled. Failure to comply may result in serious eye damage.



To reduce the risk of electric shock, this equipment may have a grounding type plug that has a third (grounding) pin. This plug will only fit into a grounding type power outlet. If the plug does not fit into the outlet, contact qualified personnel to install the proper outlet. Do not alter the plug in any way.



---

***Location for Protective Earth Line.***

---



**WARNING!** - This unit must be installed by a licensed HVAC contractor or electrical contractor. Failure to do so will void warranty of the product.

This owner's manual is also available online at: <http://www.activTek.net>

## FEATURES

---

- Easy Installation
- Hard Wire Applications
- No Chemicals
- Low Maintenance

## PRINCIPLES OF OPERATION

---

The ActivePure Cell (Advanced Oxidation System) is designed to reduce odors, air pollutants, and other contaminants through a patent pending ActivePure process. When the activTek INDUCT system is in operation, the ActivePure Cell uses an Advanced Oxidation Process to reduce airborne contaminants. The ActivePure Cell also has the added benefit of producing safe, low levels of ozone as a by-product of the ActivePure reaction. This low level ozone further improves the air as it travels through the HVAC system.

## SPECIFICATIONS

---

### *Features:*

- UV Indicator(s).
- Replaceable ActivePure Cell(s)
- Replaceable ActivePure Ballast

### *Electrical:*

- 120-240V~ 50/60Hz
- 20 watts power consumption (activTek INDUCT 5000)
- 37 watts power consumption (activTek INDUCT 10000)

### *Size:*

activTek INDUCT 5000

- Height: 9"; Width: 9"; Depth: 17" (23 cm x 23 cm x 43.2 cm).
- Weight: 4 pounds (W: 1.8kg)

activTek INDUCT 10000

- Height: 11"; Width: 11"; Depth: 17" (28 cm x 28 cm x 43.2 cm).
- Weight: 8 pounds (W: 3.6 kg)

### *Recommended Coverage:*

- activTek INDUCT 5000, single 14" probe units: 5,000 ft<sup>2</sup> (465 m<sup>2</sup>).
- activTek INDUCT 10000, dual 14" probe units: 10,000 ft<sup>2</sup> (929 m<sup>2</sup>)

### *Ozone Output:*

- Will not exceed recommended Federal Safety Limits of 0.04 ppm in recommended coverage area when properly installed

### *Warranty:*

- Length of warranty will vary depending on model.  
See warranty card for specific details

## PERIODIC MAINTENANCE

---

The only periodic maintenance required for the activTek INDUCT 5000/INDUCT 10000 is replacement of the ActivePure Cell(s). Operation of the ActivePure Cell(s) is indicated by the small indicator lamp(s) located on the bottom of the ballast cover (see diagram below).



**CAUTION: NEVER ATTEMPT TO CHECK OPERATION OF THE ACTIVEPURE CELL(S) BY DIRECT OBSERVATION. SEVERE EYE DAMAGE CAN RESULT. USE THE INDICATOR LAMPS ON THE BOTTOM OF THE BALLAST ONLY.**

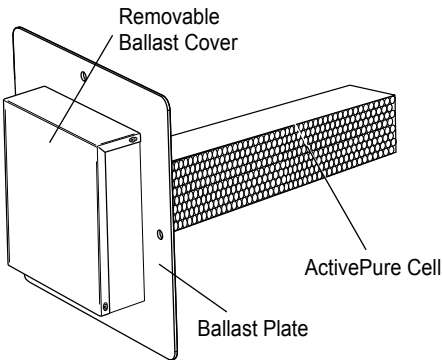
---

Replace the ActivePure Cell when the ActivePure Cell UV lamp no longer functions, or every three (3) years, whichever comes first. See *Replacing the ActivePure Cell(s)*, page 8 for instructions.

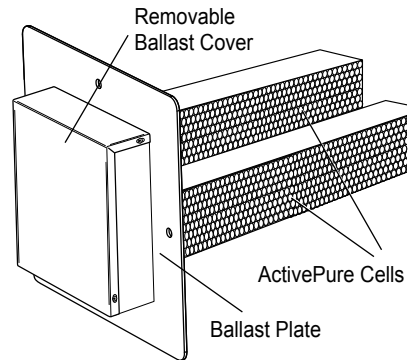
## INSPECTION

---

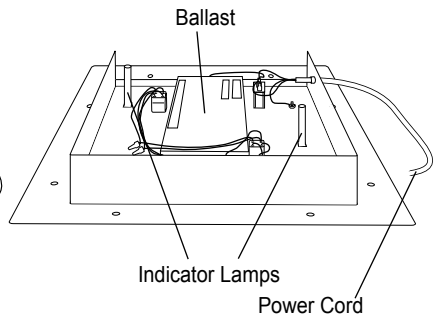
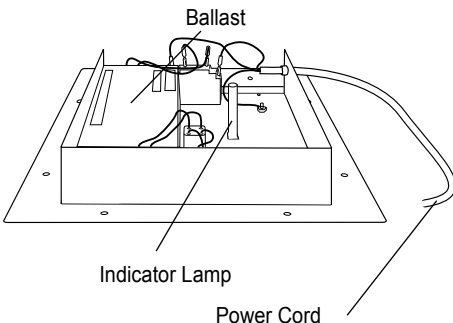
1. Remove unit from shipping carton.
2. Remove all protective materials.
3. Check for shipping damage and loose or broken parts.
4. Read this Owner's Manual thoroughly prior to installation.
5. Determine location for placement of the unit.



activTek INDUCT 5000



activTek INDUCT 10000



## INSTALLATION REQUIREMENTS

---

1. Unit should be installed after the air handler in the HVAC system.
2. The ductwork around the installation area should be clean and dry to insure proper connection.
3. Depending on model, one opening (activTek INDUCT 5000) or two openings (activTek INDUCT 10000) approximately 4" (four inches) (10.16 cm) in diameter will need to be cut into the existing duct work to install the unit properly.

---

**WARNING:** *activTek INDUCT should never be installed in a location that will expose the INDUCT Unit to temperatures greater than 200°F (93°C).*

---

## ELECTRICAL REQUIREMENTS

---



*Wiring of the unit into your HVAC system should be done by a licensed HVAC installer or electrical contractor only.*

---

For 120 volt unit: Black = L1, White = Neutral, Green = Ground

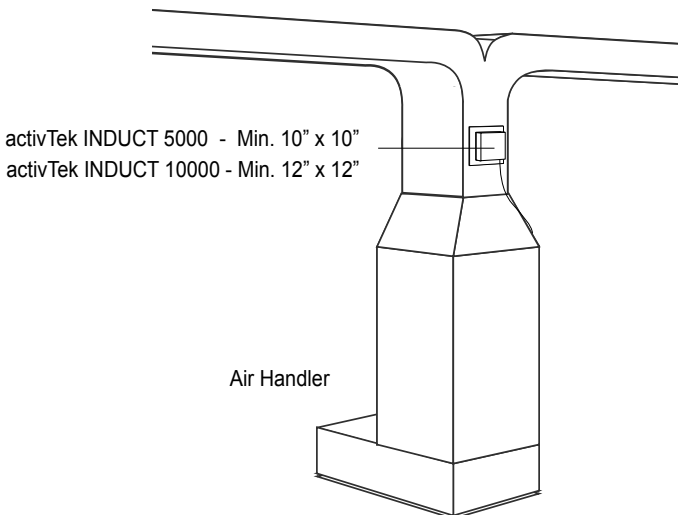
For 220 volt unit: Black = L1, White = L2, Green = Ground

International Units: Brown = L1, Blue = Neutral, Green with Yellow Stripe = Ground

Unit is shipped with a blunt cord. If required, installation of a UL approved plug should be done by a qualified electrical contractor.

## INSTALLATION CLEARANCES

---

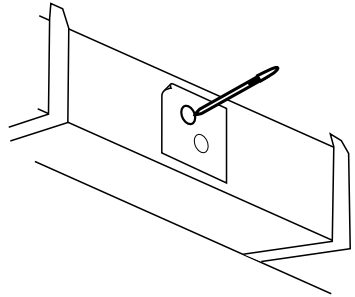
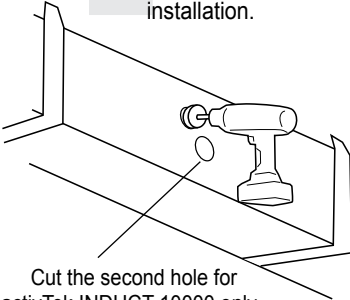


# INSTALLING THE UNIT

1. Find the optimal position downstream from the air handler. Ensure location in duct has enough room for the mounting plate. It is recommended for maximum effectiveness that the unit be placed as close to the air handler as possible.

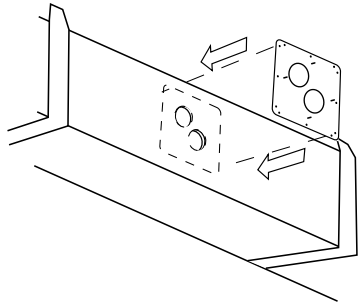
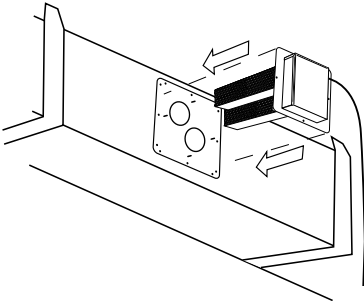
**PLEASE NOTE:** The illustrations are shown installing an activTek INDUCT 10000. The procedures shown in this manual apply to both units, unless otherwise indicated.

2. Using the appropriate template included, mark location for installation.



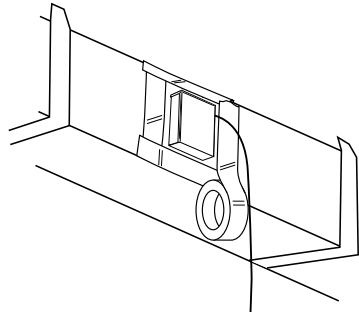
3. Using a 4" (4 inch) hole saw, cut opening(s) into ductwork.

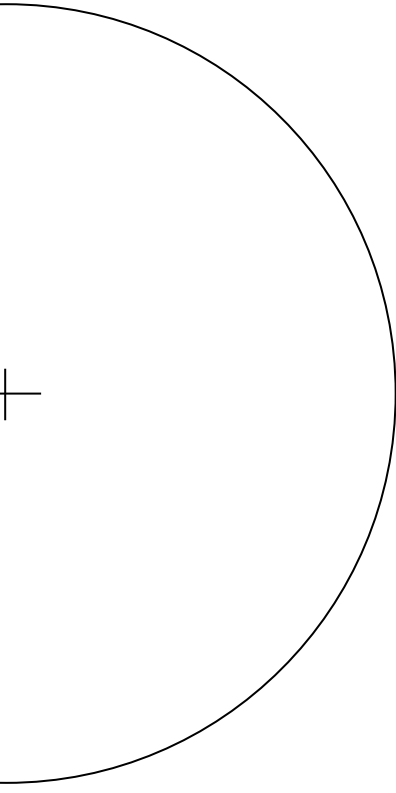
4. Place the mounting plate squarely into place and fasten to ductwork with sheet metal screws.



5. Move ballast assembly to location and secure to ductwork with the four (4) wing nuts provided.

6. Unit may be taped with aluminum HVAC tape to provide complete seal.



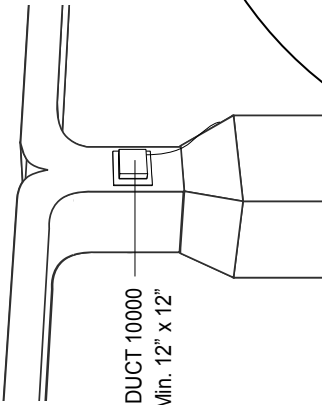




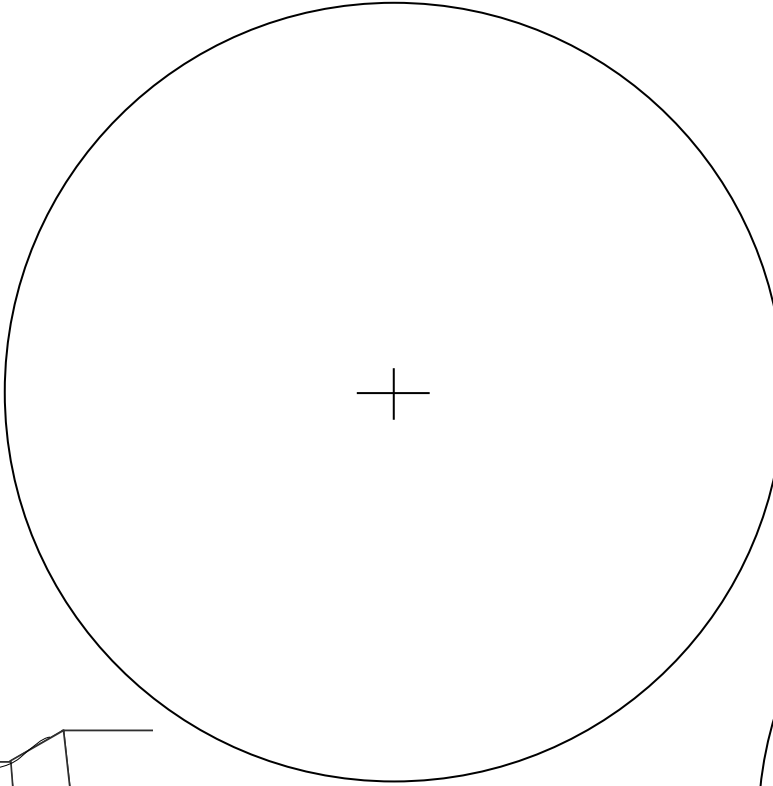


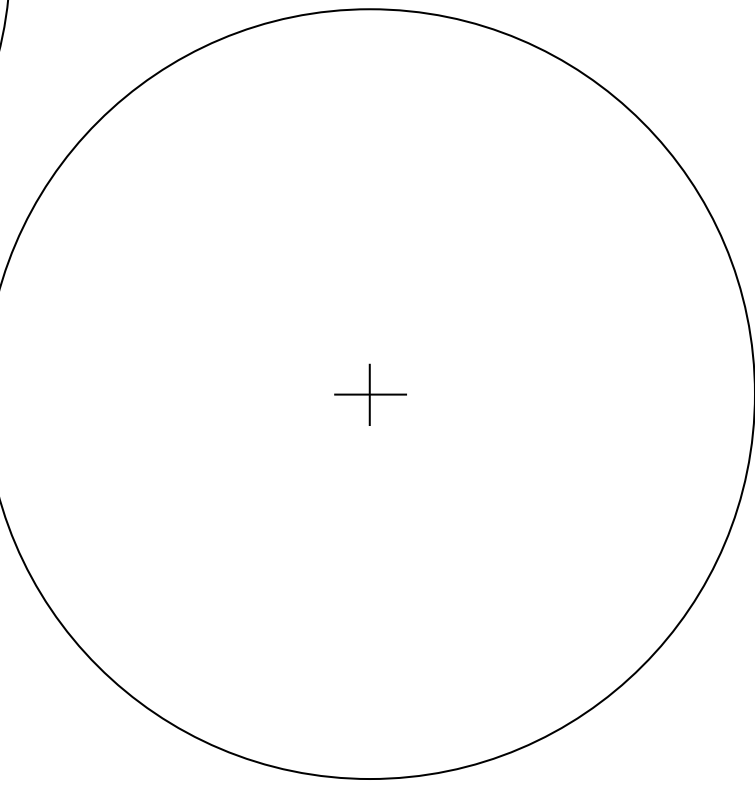
# activTek INDUCT 10000 - CELL'S HOLE PLACEMENT TEMPLATE

---



activTek INDUCT 10000  
Min. 12" x 12"

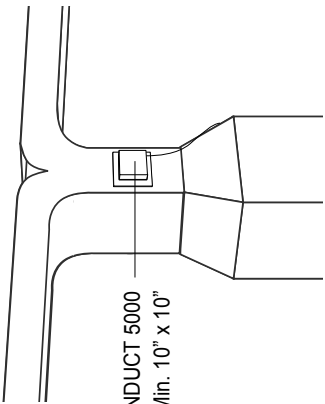




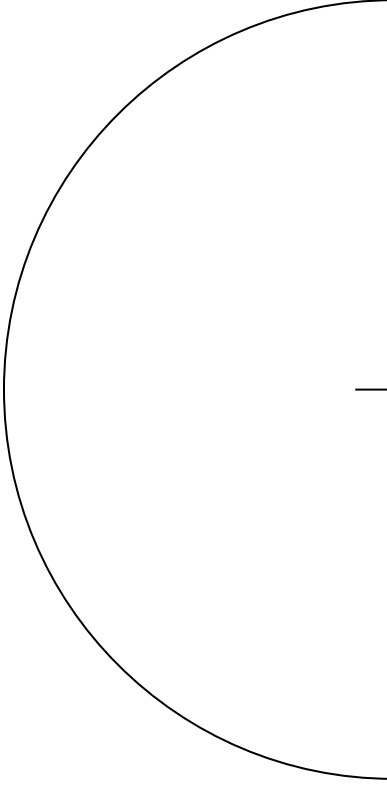
  
ENVIRONMENTAL

# activTek INDUCT 5000 - CELL HOLE PLACEMENT TEMPLATE

---



activTek INDUCT 5000  
Min. 10" x 10"



# WIRING THE UNIT

Note: Disconnect power at the breaker or fuse panel before servicing unit.



**WARNING:** *Hard wiring unit into HVAC system should be done by a licensed HVAC installer or qualified electrical contractor only.*

1

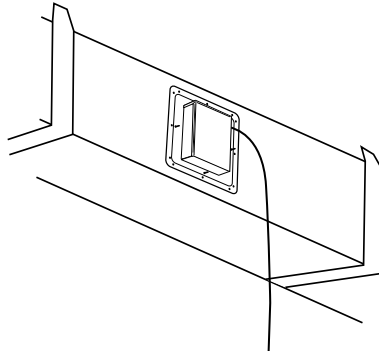
1. Connect wires coming from the activTek INDUCT 5000/INDUCT 10000 unit to the fan relay as follows:

NOTE: All units come standard with a blunt cord.

| 120 Volt Unit:    |         | 220 Volt Unit:    |        | International Unit:             |         |
|-------------------|---------|-------------------|--------|---------------------------------|---------|
| <b>Black Wire</b> | L1      | <b>Black Wire</b> | L1     | <b>Brown Wire</b>               | L1      |
| <b>White Wire</b> | Neutral | <b>White Wire</b> | L2     | <b>Blue Wire</b>                | Neutral |
| <b>Green Wire</b> | Ground  | <b>Green Wire</b> | Ground | <b>Green with Yellow Stripe</b> | Ground  |

2

2. Connect the unit to the load side of the proper fan relay.



3

3. Be sure to ground the ballast by securing the unit to the metal surface of the AC unit or power box.

4

4. Check indicator light for proper operation with fan on.

# REPLACING THE ACTIVEPURE CELL(S)

Replace the ActivePure Cell when the ActivePure Cell UV lamp no longer functions, or every three (3) years, whichever comes first.



**CAUTION: NEVER ATTEMPT TO CHECK OPERATION OF THE ACTIVEPURE CELL(S) BY DIRECT OBSERVATION. SEVERE EYE DAMAGE CAN RESULT. USE THE INDICATOR LAMPS ON THE BOTTOM OF THE UNIT HOUSING ONLY.**

**Note: Disconnect power at the breaker or fuse panel before servicing unit.**

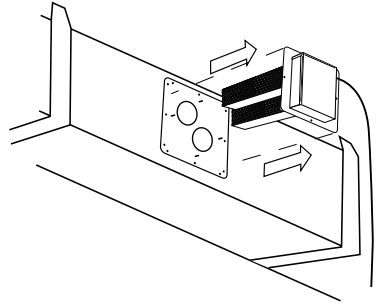
1

1. Disconnect power at the breaker or fuse panel before servicing unit.



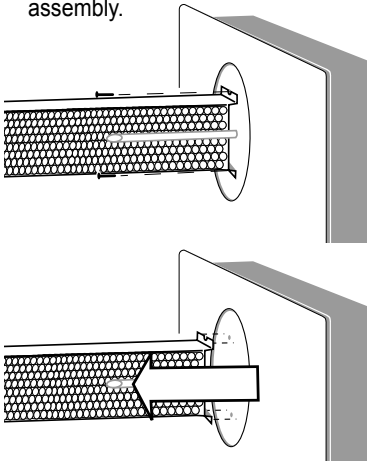
2

2. Remove the activTek INDUCT ballast assembly by removing the four (4) wing nuts and sliding the unit out.



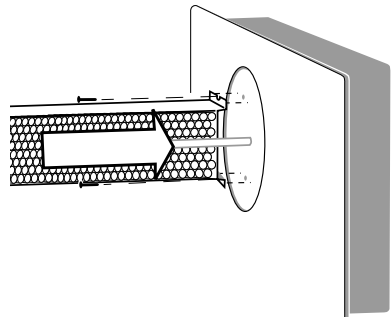
3

3. Remove the two bolts on either side of the ActivePure Cell to remove the cell from the ballast assembly.



4

4. Replace ActivePure Cell by reversing steps 1-3.



# REPLACING THE BALLAST

Replacement of the Ballast may be necessary if after replacing the ActivePure Cell(s) the lamp still does not become active.



**CAUTION: NEVER ATTEMPT TO CHECK OPERATION OF THE ACTIVEPURE CELL(S) BY DIRECT OBSERVATION. SEVERE EYE DAMAGE CAN RESULT. USE THE INDICATOR LAMPS ON THE BOTTOM OF THE**

**Note: Disconnect power at the breaker or fuse panel before servicing unit.**

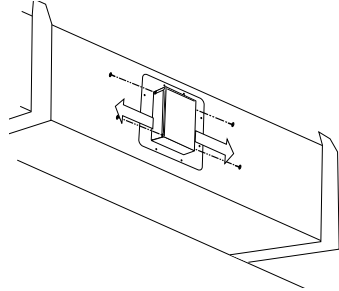
1

1. Disconnect power at the breaker or fuse panel before servicing unit.



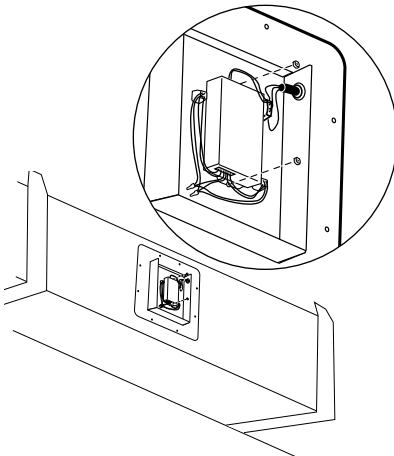
2

2. Open the ballast housing by removing the four (4) screws then removing cover.



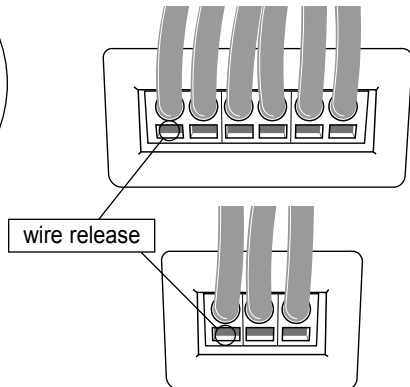
3

3. Remove the two (2) nuts on the top and bottom side of the ballast to pull ballast from assembly.



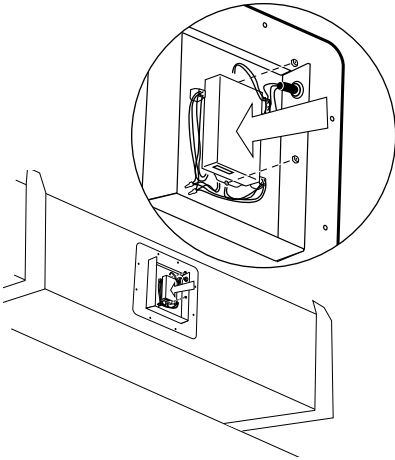
4

4. Remove the wires (activTek INDUCT 10000 - 8 wires, INDUCT 5000 - 6 wires) from ballast by pressing a small screwdriver into the wire release.

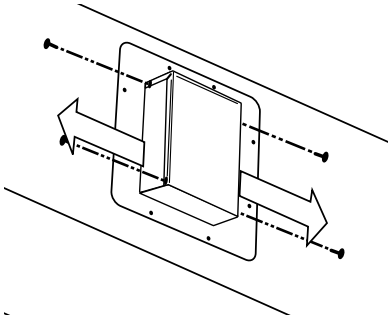
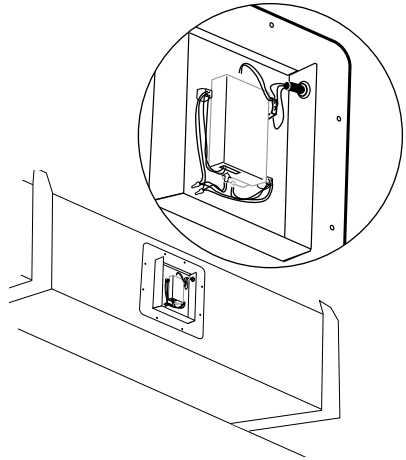


## REPLACING THE BALLAST (CONTINUED)

5. Place new ballast into original location and fasten the two (2) locking nuts into place.



6. Return wiring to its original locations on the ballast.



7. Replace cover and secure with the original four (4) screws.

8. Reconnect power and check for proper operation (UV indicators should be lit when in operation).

## REPLACEMENT PARTS LIST

| Part Name                 | Part Number |
|---------------------------|-------------|
| ActivePure Cell (14 inch) | US70955     |
| 120/220 Volt Ballast      | US70956     |

## DISPOSAL OF THE ACTIVEPURE CELL

---

Please do not throw a used ActivePure Cell into the garbage. The special germicidal UVX bulb used in the activTek INDUCT 5000/INDUCT 10000 contains a very small amount of mercury. You may return your used ActivePure Cell to activTek for proper disposal. Send the used Cell post paid to:



**activTek Environmental**  
ActivePure Disposal  
55 Marley Drive  
Greeneville, TN 37743

### *Did you forget to register your activTek INDUCT 5000/INDUCT 10000 by activTek Environmental?*

By registering, you'll activate your warranty and your privacy is guaranteed. Just fill out your warranty card and drop it in the mail.

## WARRANTY INFORMATION

This product is of solid state construction and is warranted by

activTek Environmental  
310 T. Elmer Cox Drive  
Greeneville, TN 37743

to the original purchaser, depending on model, to be free from defect in materials and workmanship for a limited time.

Length of warranty will vary depending on model. See warranty card for specific details.

If you have any questions concerning your activTek INDUCT 5000/INDUCT 10000, please see your local activTek Distributor.

For help, visit [www.activTek.net](http://www.activTek.net).

## FCC STATEMENT AND USER INFORMATION

This equipment has been tested and found to comply with the limits for Industrial, Scientific, and Medical Equipment (ISM), pursuant to Part 18 of the FCC Rules. These limits are designed to provide reasonable protection against harmful interference when the equipment is operated in a commercial environment. This equipment generates, uses, and can radiate radio frequency energy, and if not installed and used in accordance with the instructions, may cause harmful interference to radio communications. Operation of this equipment in a residential area is likely to cause harmful interference in which case the user will be required to correct the interference at his own expense.